



**KIT PART NUMBERS 3630063, 3630064, 3630065, 6330081, 6330082, 6330083, 6330084, 6330085, 6330086, 6360034, 6360035, 6360036, AND 6360037**

**INSTRUCTIONS FOR RETROFITTING VENT MANIFOLDS  
TO VARIOUS MERCHANDISERS**

**CHECK THE PARTS RECEIVED IN THE KIT WITH THE PARTS LIST IN THESE INSTRUCTIONS. IF ANY PARTS ARE MISSING, CONTACT THE NATIONAL VENDORS PARTS DEPARTMENT IMMEDIATELY.**

Read these instructions carefully before installing the kit.  
Keep these instructions for part numbers and for future reference.

Depending on which kit you have, your kit will contain the following:

I N D E X	PART NUMBER	DESCRIPTION	QUANTITY PER KIT															
			3	3	3	6	6	6	6	6	6	6	6	6	6			
			6	6	6	3	3	3	3	3	3	3	3	3	3	3	3	
			3	3	3	3	3	3	3	3	3	3	6	6	6	6	6	
			0	0	0	0	0	0	0	0	0	0	0	0	0	0	0	
			0	0	0	0	0	0	0	0	0	0	0	0	0	0	0	
			6	6	6	8	8	8	8	8	8	8	3	3	3	3	3	
			3	4	5	1	2	3	4	5	6	4	5	6	7			
1	4741050	SCREW 8-32	1	1	1	1	1	1	1	1	1	1	1	1	1	1	1	
2	6237305	VINYL CAP - 1.25 I. D.	1	1	1	1	1	1	1	1	1	1	1	1	1	1	1	
3	6237340	FILTER - EXHAUST BLOWER	1	1	1	1	1	1	1	1	1	1	1	1	1	1	1	
4	P6337060	VENT & DIVIDER ASSEMBLY	7	6	5	7	6	5	6	5	4	6	5	4	5			
5	6337057	CANISTER SUPPORT ASSEMBLY - LIGHTNER	1	1	1	1	1	1	1	1	1	1	1	1	1	1	1	
6	6237015	BRACKET - DEFLECTOR - CHOCOLATE	5	5	3	5	5	4	3	3	2	4	4	3	3			
7	P6337080	CHUTE ASSEMBLY - 3 INGREDIENT				1	1	1	1	1	1						1	
8	P6367018	CHUTE ASSEMBLY - 2 INGREDIENT	1	1	1								1	1	1			
9	6237141	CHUTE ASSEMBLY - 2 INGREDIENT							1	1	1							
10	P6337016	VENT ASSEMBLY - FINAL - FB	1															
	P6337017	VENT ASSEMBLY - FINAL - SGL FB	1															
	P6337018	VENT ASSEMBLY - FINAL - DUAL FB			1													
	P6337064	VENT ASSEMBLY - FD - W/6TH PRODUCT				1												
	P6337065	VENT ASSEMBLY - SINGLE FB- W /6TH PRODUCT					1											
	P6337066	VENT ASSEMBLY - DUAL FB - W/6TH PRODUCT						1										
	P6337073	VENT ASSEMBLY - FD - DUAL CONDIMENT							1									
	P6337074	VENT ASSEMBLY - SINGLE FB - DUAL CONDIMENT								1								
	P6337075	VENT ASSEMBLY - DUAL FB - DUAL CONDIMENT									1							
	P6367007	VENT ASSEMBLY - FD - W/SOUP											1					
P6367008	VENT ASSEMBLY - SINGLE FB - W/SOUP													1				
P6367009	VENT ASSEMBLY - DUAL FB - W/SOUP														1			
P6367016	VENT ASSEMBLY - FD W/SUG SUB																1	
11	6237354	HOSE ASSEMBLY - EXHAUST - COFFEE CHUTE	1	1	1	1	1	1	1	1	1	1	1	1	1	1	1	
12	4254012	CLAMP - 1.375	1	1	1	1	1	1	1	1	1	1	1	1	1	1	1	
13	9900081	NUT - #8-32 KEPS ZINC PLATE	1	1	1	1	1	1	1	1	1	1	1	1	1	1	1	
14	6237303	PLUG - CENTER PULL - .56				1	1	1	1	1								
15	3633020	MECHANISM ASSEMBLY - 4 COLUMN - 12/18 OZ	1	1	1													
16	6330094	COMMON KIT INSTRUCTIONS	1	1	1	1	1	1	1	1	1	1	1	1	1	1	1	



---

Before proceeding with these instructions, take time to familiarize yourself with all steps and illustrations.

1. Turn the main power switch OFF and unplug the machine.
2. See figure 1. The existing vent manifold assembly located behind the shelf will continue to be used as an overflow drain. Remove this assembly and clean it along with the mixing bowl rubber retainer (rubber coupling for mixing bowl snapped into the canister shelf). You will need to remove the product canisters to obtain access.
3. Located on the inside bottom flange of the canister shelf assembly are several harness clamps. As you face the machine, remove the screw securing the left-most clamp and replace it with the longer screw (1) supplied with the kit.
4. Reinstall all parts that were removed for cleaning in step 2.
5. Remove the existing exhaust hose assembly routed from the manifold to the blower housing.
6. See figure 2. **Fresh brew models only:** There is an exhaust hose assembly that is routed from the brewer to the blower housing. Remove the exhaust hose assembly from the horizontal port on the blower housing and reinstall it to the vertical port.  
**Freeze Dry models and Fresh Brew models not equipped with the exhaust hose feature:** Install the vinyl cap (2) on the unused vertical port of the blower.
7. Replace the filter element in the blower assembly housing with the new element (3).
8. See figure 3. Remove and discard the existing ingredient stainless steel condiment chute.
9. Remove and discard the stainless steel product deflectors from the front of canisters.
10. See figure 1. Remove the existing mixing bowl assemblies. Disassemble the cap from the mixing bowl. Discard the cap. Thoroughly clean and dry the mixing bowls.
11. Assemble the new cap-vent & divider assemblies (4) to the mixing bowls.
12. Remove the canister support assembly - lightener from the front canister shelf.
13. Install the new canister support assembly - lightener (5) to the front canister shelf.
14. See figure 3. Install the new stainless steel product deflectors (6).
15. Install the mixing bowl assemblies into the canister shelf.
16. Install the stainless steel ingredient condiment chute (7 or 8). If your machine is configured for a dual condiment, also install the smaller second chute (9).
17. See figures 1 and 4. Install the vent assembly (10). Align and insert the vent manifold assembly into position. Each silicone tubing drop mates inside the forward port of the mixing bowl cap. Push down on the manifold to snugly seat it into the mixing bowl cap.
18. Install the hose assembly - vent (11) routed from the 'T' on the vent assy to the horizontal position on the blower housing.
19. See figure 1. Secure the hose assembly with the clamp (12). Snap the clamp over the hose and fasten it to the screw in the bottom flange of the front canister shelf (that you installed in step 3) with the nut (13) in the orientation shown. Route the hose assembly so it does not interfere with the travel of the brewer rack.
20. See figure 4. If your machine is not configured with products in all canister locations, plug any unused ports on the new manifold assembly with the center pull plug (14).



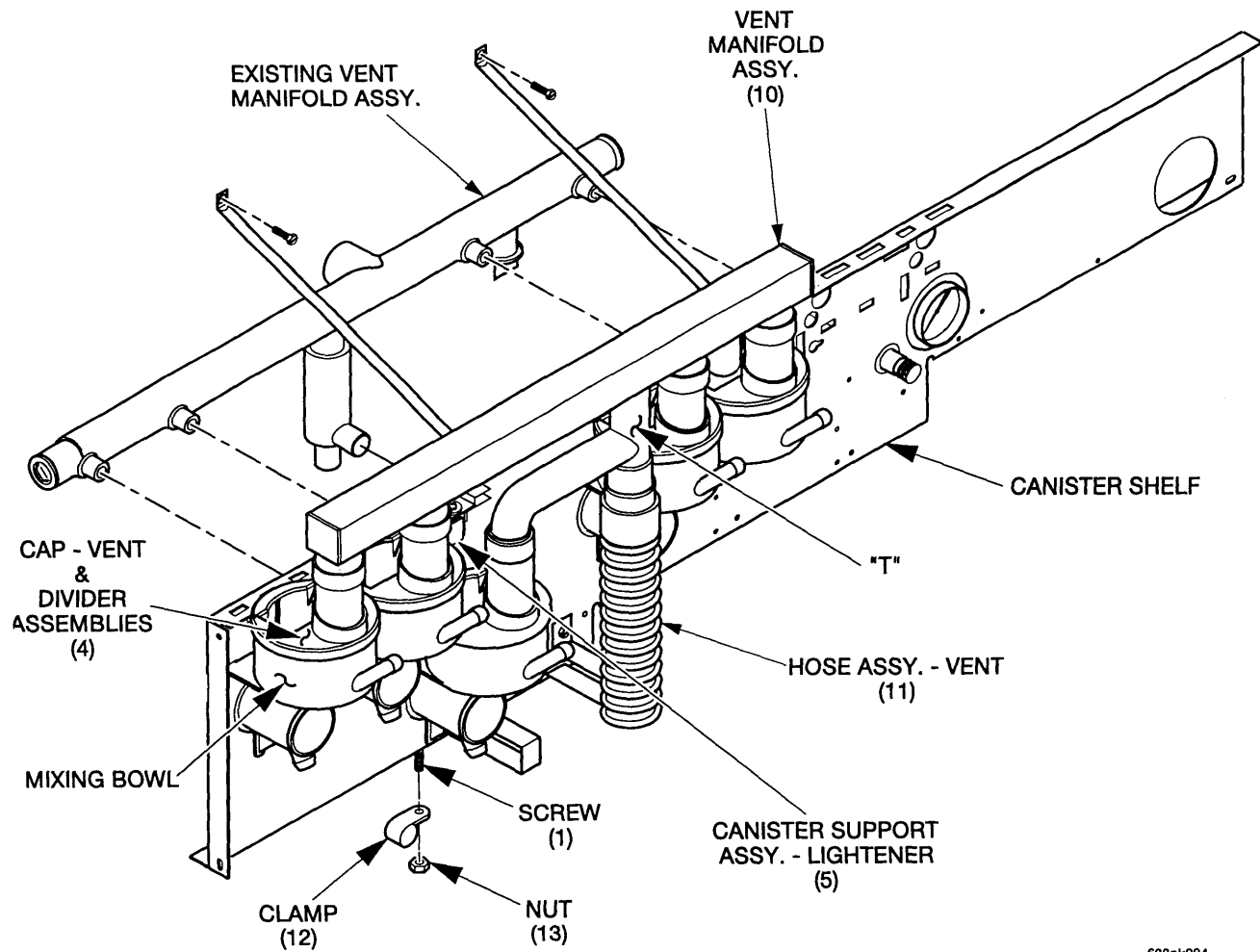
If you are retrofitting a Hot Drink Center, Euro Drink, or Euro Twin, STOP you are done.

If you are retrofitting a Twin Drink Center, continue with step 21.

21. See figure 5. Remove the optional 12/18 oz cup mechanism assembly from the door.
22. See figure 6. Remove the 8 screws fastening the cup canister to the mechanism assembly.
23. Install the cup canister removed in step 22 to the new mechanism (15).
24. See figure 5. Install the newly assembled 12/18 oz cup mechanism assembly on to the door.

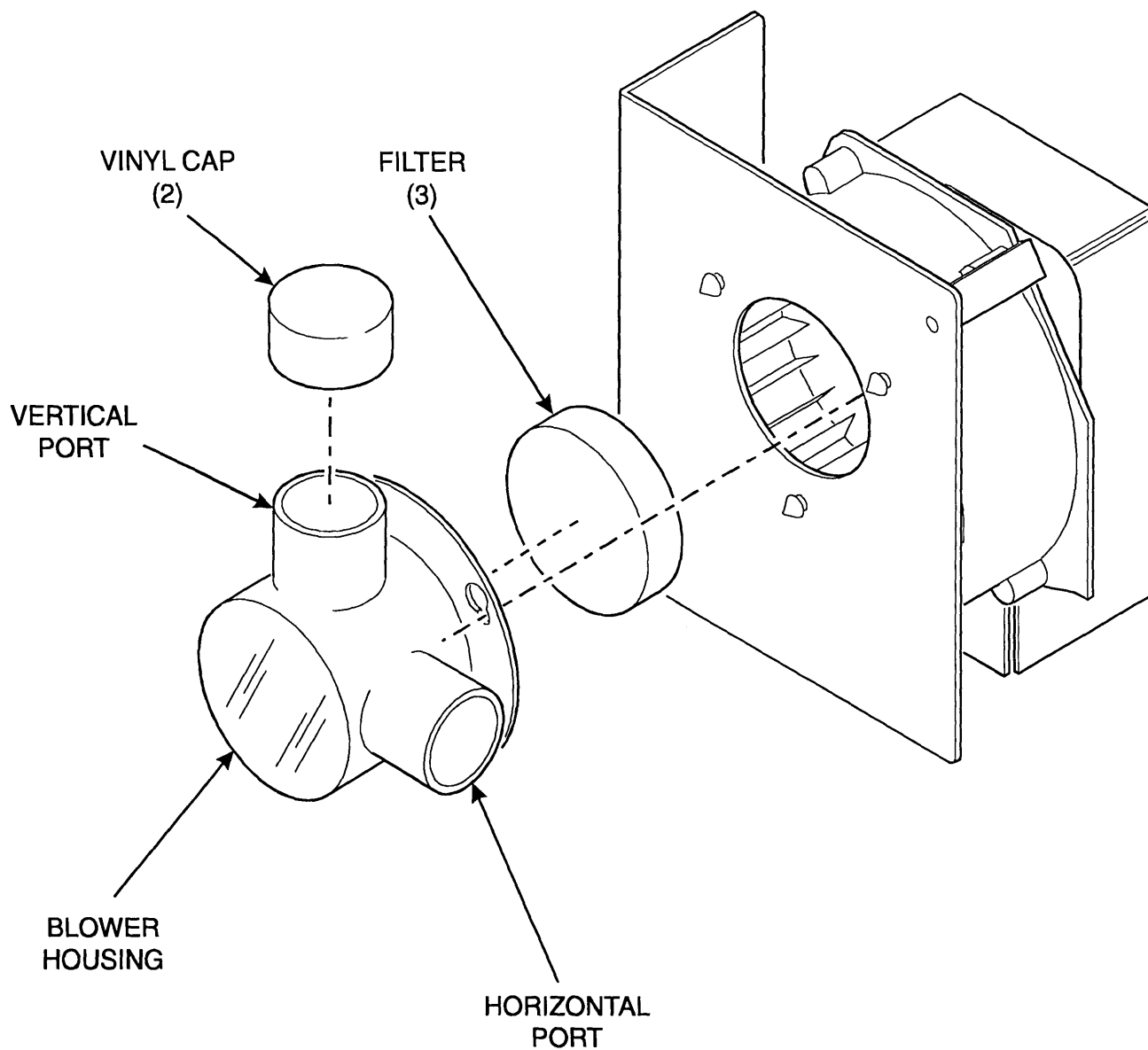
**NOTE**

*Figures are typical and vary with configuration and model.*



633pk004

**Figure 1**



**Figure 2**

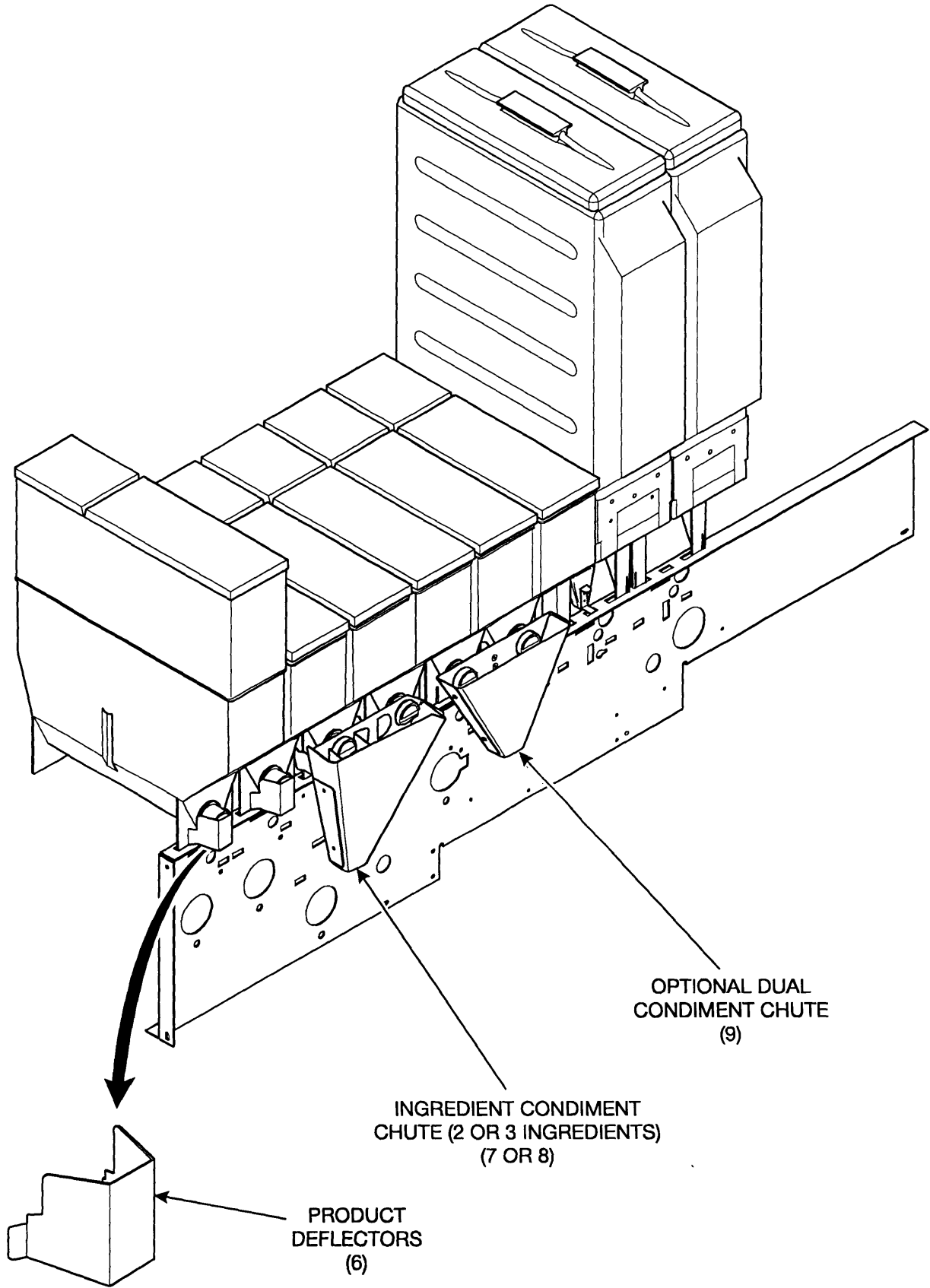


Figure 3

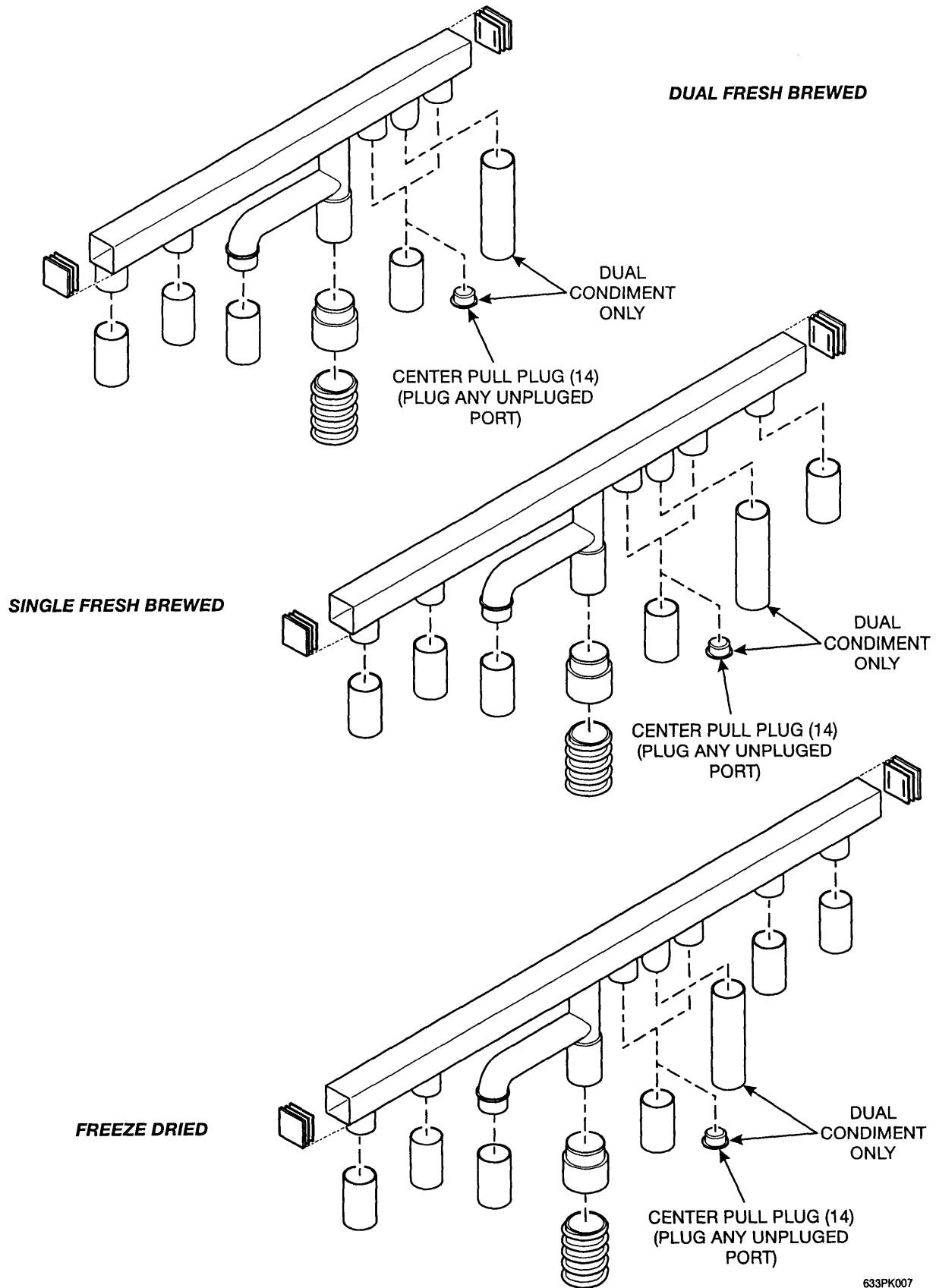


Figure 4

633PK007

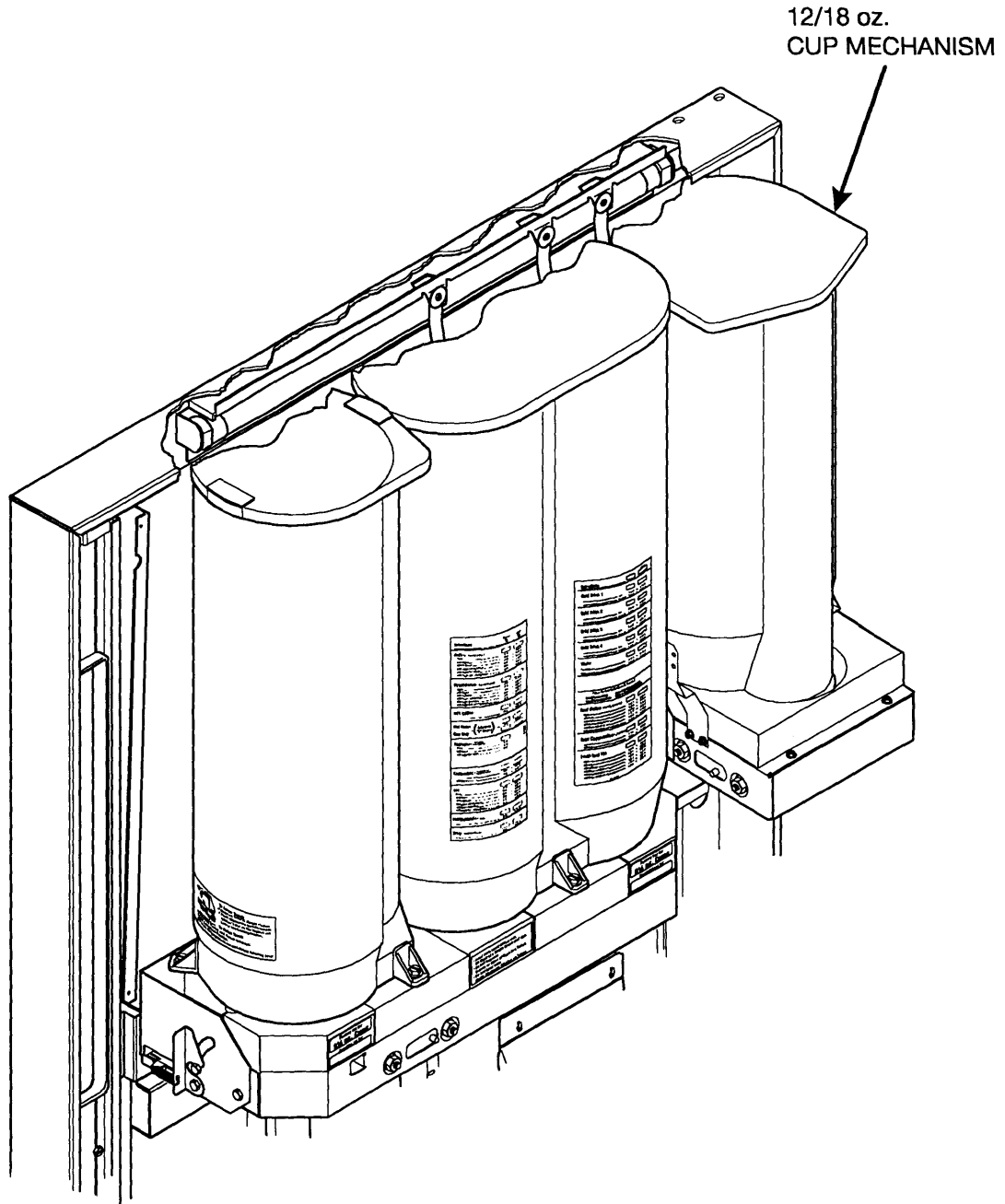


Figure 5

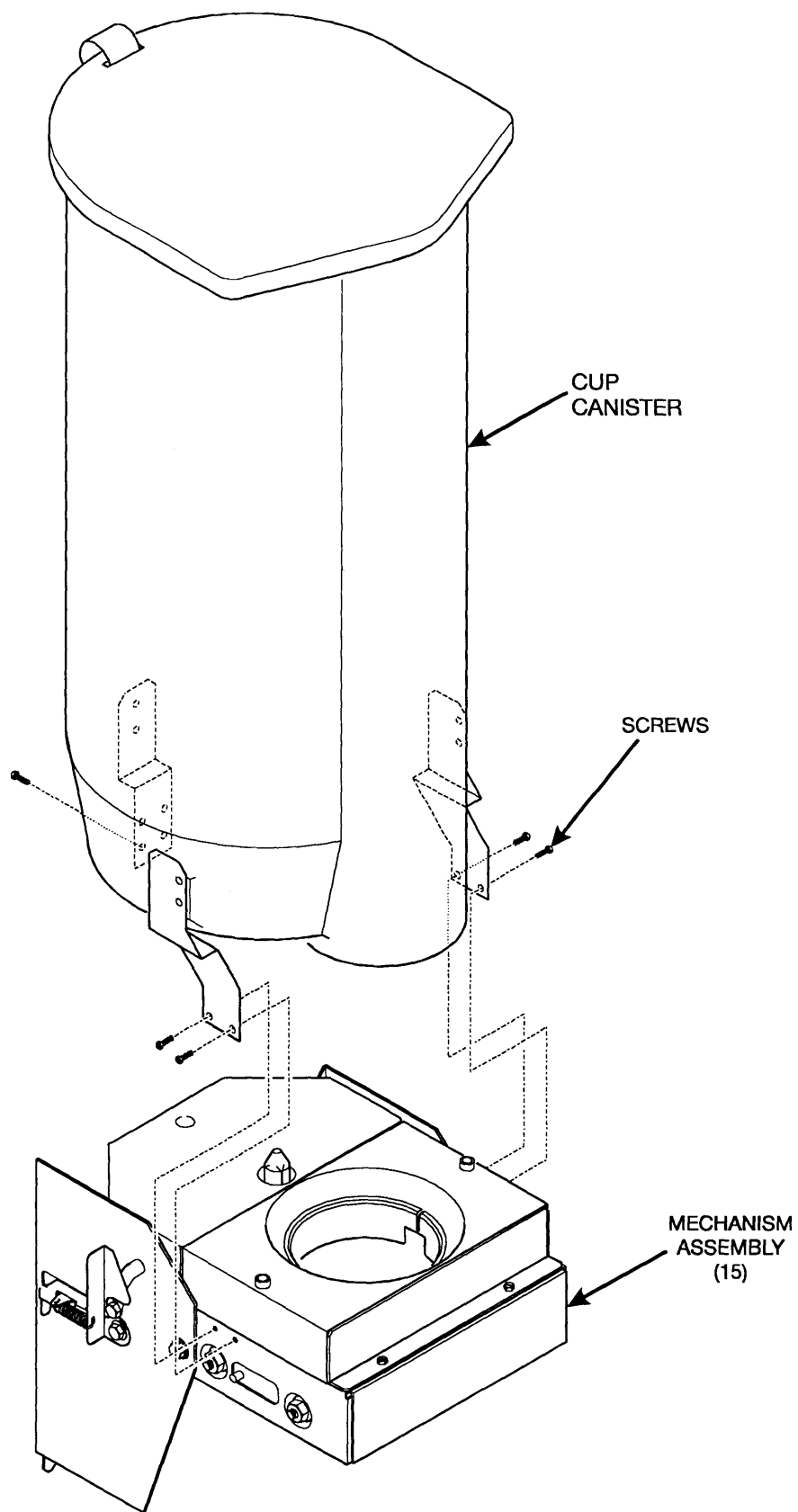


Figure 6